



PUMA 480

Powerful, Heavy Duty Turning Center



PUMA 480

PUMA 480 series mainly focus its capacity on heavy duty cutting, wide range of cutting coverage along with rapid positioning and fast bi-directional turret-indexing.



Massive yet responsive turning centers without compromise. The most powerful machines in their class.



Main Spindle



Main Spindle Drive

The 45kW (60.3Hp) spindle motor provides power for heavy stock removal, greatly reducing the number of roughing passes required. The reliable digital AC spindle motor provides fast acceleration and is maintenance free. The preloaded spindle bearings are specifically calibrated to maintain the perfect balance of rigidity and speed. The geared headstock ensures optimal power throughout a wide speed range.

	PUMA 480[L/XL]	PUMA 480D[LD/XLD]
Max. spindle speed	1500 r/min	1000 r/min
Bar working dia.	165.5 mm (6.5 inch)	275 mm (10.8 inch)*
Motor (30 min)	45 kW (60.3 Hp)	

* : Maximum bar working diameter of PUMA 480D [LD/XLD] varies by the size of the chuck.

BF Gear Box



Heavy cutting enabled with 2-step Baruffaldi Gearbox (standard), which is equipped with double bearings at the pulley shaft to enhance durability. The high precision BF Gearbox reduces noise at high speed. The gearbox and motor are separated from the spindle to isolate vibration, further enhancing working accuracy.

PUMA 480M[LM/XLM] **std.**

PUMA 480[L/XL], PUMA 480D[LD/XLD] **opt.**



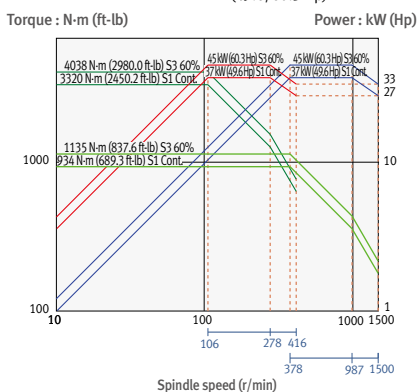
Isolated Gear Box (DI Gear Box)

Power is delivered to the spindle through a two speed gearbox allowing high spindle speeds as well as powerful low end torque. The gearbox and spindle motor are isolated from the spindle, eliminating transfer of heat and vibration.

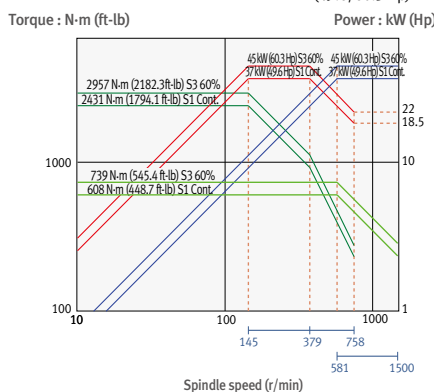
PUMA 480[L/XL], PUMA 480D[LD/XLD] **std.**

Main spindle power-torque diagram

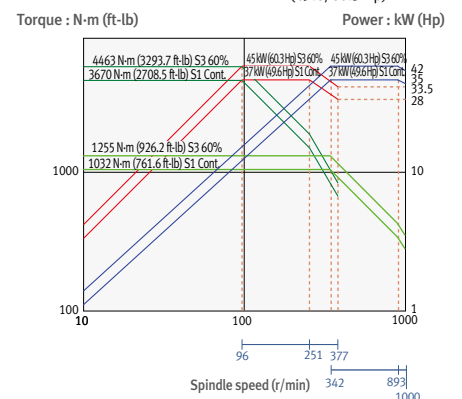
PUMA 480 [L/XL] (37/45 KW)
(49.6/60.3 Hp)



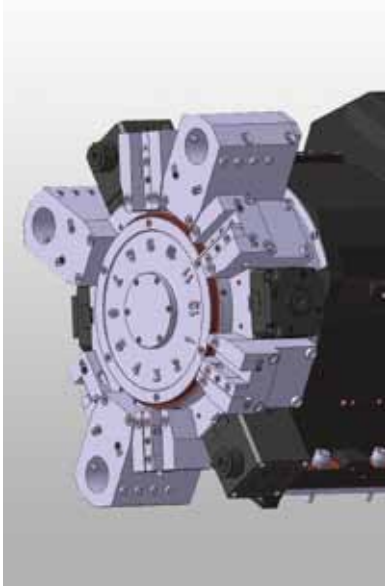
PUMA 480M [LM / XLM] (37/45 KW)
(49.6/60.3 Hp)



PUMA 480D [LD/XLD] (37/45 KW)
(49.6/60.3 Hp)



Turret



Fast Turret Indexing

The large 12 and 10 station heavy duty turret features a large diameter Curvic coupling and hydraulic clamp force. The heavy duty design provides unsurpassed rigidity for heavy stock removal, fine surface finishes, long boring bar overhang ratios, and extended tool life. Turret rotation, deceleration and clamp are all controlled by a reliable high torque-hydraulic index motor. Unclamp and rotation are virtually simultaneous. Turret indexing is non-stop bi-directional, with a 0.25 second next station index time. Turning tools are securely attached to the turret by wedge clamps.

Index time (1-station swivel)

0.25 s

No. of tool station

10 ea PUMA 480[L/XL], PUMA 480D[LD/XLD]

12 ea PUMA 480M [LM/ XLM]

Preci-Flex Ready Rotary Tools

Preci-Flex ready rotary tool holders are available on the milling versions. Preci-Flex is a tooling system utilizes the existing ER collet taper in the rotary holders. The spindle face is precision ground relative to the taper and there are four drilled and tapped holders in this face. The Preci-Flex adapters locate on both the taper and the spindle face for maximum rigidity.



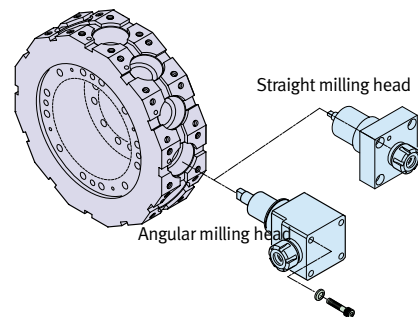
Collet application



Preci-flex adapter application

BMT Milling Turret

The large 12 station heavy duty turret features a large Curvic coupling diameter. This heavy duty design provides unsurpassed rigidity for heavy stock removal, fine surface finishes, and extended tool life. Indexing repeatability is ± 0.0055 degrees. Turret indexing is non-stop bi-directional. An extremely reliable high-torque hydraulic motor provides for quick turret indexing. 32mm (1.3 inch) square tool holders are mounted directly to the turret. The boring bar capacity is 60mm (2.4 inch). The turret features a flexible design, allowing for left or right handed, ID or OD tool placement.



Bed and Way Construction

Doosan Infracore precision machine tools are internationally known for their durability, rigidity and high accuracy. Only well proven and time tested manufacturing techniques can produce machines of this quality.



The PUMA 480 series is a true 45 degree slant bed design. The bed is a one piece casting with both the saddle and tailstock guideways in the same plane to eliminate thermal distortion. The heavily ribbed torque tube design prevents twisting and deformation. Fine grain Meehanite processed cast iron is used because of its excellent dampening characteristics. This ensures high rigidity with no deformation during heavy cutting. The slant angle allows for easy loading, changing and inspection of tools. All guideways are wide wrap-around rectangular type for un-surpassed long-term rigidity and accuracy. The guideways are widely spaced to ensure stability and fully protected. Each guide-way is induction hardened and precision ground. A fluoro plastic resin, Rulon® 142, is bonded to the mating way surfaces, for its wear and friction characteristics and then hand scraped for a perfect fit and center height. Optional long bed enables extra-long shaft machining.

Rapid Traverse

X-axis

16 m/min (629.9 ipm)

Z-axis

20 m/min (787.4 ipm) (PUMA 480/M/D)

18 m/min (708.7 ipm) (PUMA 480L/LM/LD)

10 m/min (393.7 ipm) (PUMA 480XL/XLM/XLD)



Scraping of Slideway



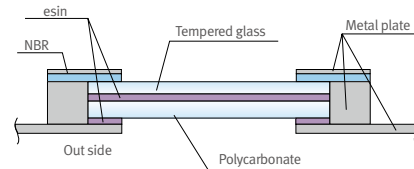
Outstanding rigidity for high feedrates

Safety Design for Human

Double-Paneled Safety Window



The operator safety can be enhanced through the front door with its shock absorbing laminated glass and double panel construction. The windows without grating also provide a clear view of the machine inside.



Operator's Panel



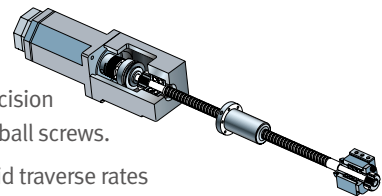
The operator control panel is mounted on an adjustable pendant for easy viewing and accessibility during set-up and operation. The layout and location of the panel is ergonomically designed to be efficient and convenient for the operator. Comprehensive alarm diagnostics are provided for the machine, control and programming errors.

Axis Drive Construction and Tail Stock

Double Pretensioned Ball Screw

Both the X and Z axes features a double pretensioned ball screw, supported on each end by precision class P4 angular contact thrust bearings. Both axes are driven by large diameter, high precision ball screws.

Each ball screw has been carefully selected to achieve a combination of high accuracy, high rapid traverse rates and high feed thrust. All ball screws are fully supported on both ends.



Axis Drives

Each axis is powered by a maintenance free digital AC servo motor. These high torque drive motors are connected to the ball screws without intermediate gears for quiet and responsive slide movement with virtually no backlash.



Programmable Tailstock

The programmable tailstock body is mounted on the same guideway surface as the headstock. The heavy casting, large 120mm (4.7 inch) diameter quill, and precision Morse Taper #6 live center provide outstanding rigidity. The 120mm (4.7 inch) quill stroke is activated by either the program or foot switch. Auto lubrication is provided to the quill and guideways.

Eco-Friendly Design

Collection of Waste Lubrication Oil

Less waste lubrication oil extends the life time of the coolant water and cut down the grime and offensive smell of the machine inside.

Metered Way Lubrication

Automatic lubrication is provided to all guideways, ball screws and the tailstock quill. A maintenance free piston distributor delivers a precise quantity of oil to each lubrication point. The 1.8 L (0.5 gallon) reservoir lasts up to 80 hours. A low level alarm prevents the machine from restarting without lubricant.



No Coolant Leakage

Rigorously designed, manufactured and tested machine covers do not permit coolant leakage in any condition. The factory always keeps our environment clean.

Tool Pre-Setter opt.

The automatic tool setter reduces set-up time by minimizing the need for skim cuts, measurements and entering tool offsets. The tool setting arm is moved by an electric motor and can be controlled through the program.



Equipment

Hydraulic Power Unit

The temperature of the hydraulic oil is regulated by a cooling system.



Oil Skimmer opt.

The Oil Skimmer in the cutting fluid tank removes waste fluid to extend the lifecycle of the cutting fluid and improves productivity.



Electric Torque Limiters

Each axis ball screw is protected by electric torque limiters to minimize damage in the event of a crash. Upon impact, the limiter immediately stops the machine.

Long Boring Bar Holder opt.



Coolant System

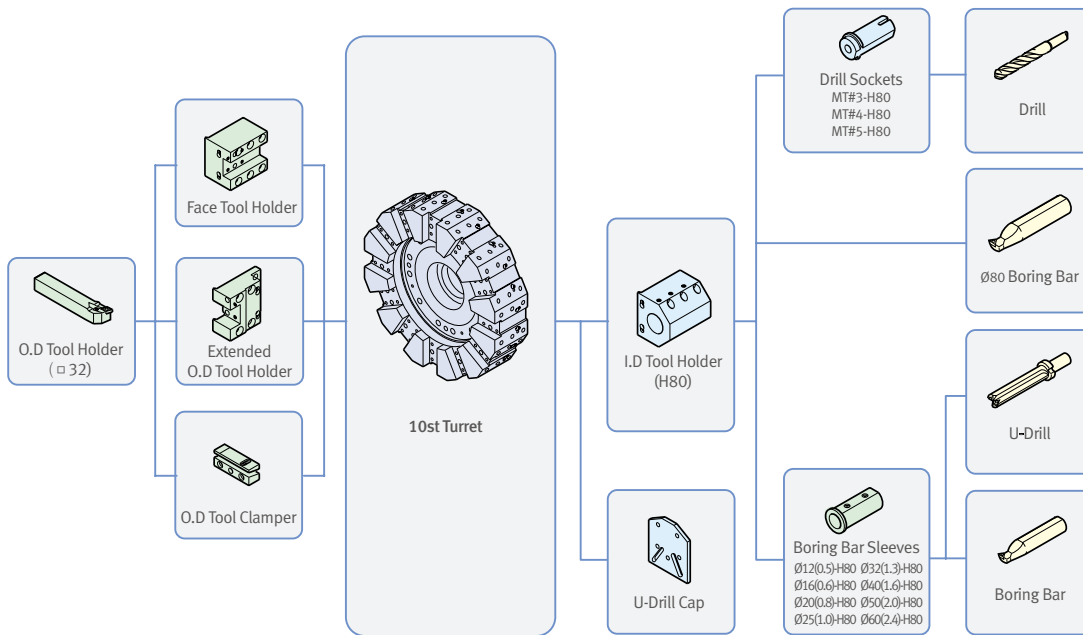
The high pressure flushes chips out of drilled holes, reduces the need for peck drill cycles, meets the requirements of most insert drill manufactures and significantly increases tool life.



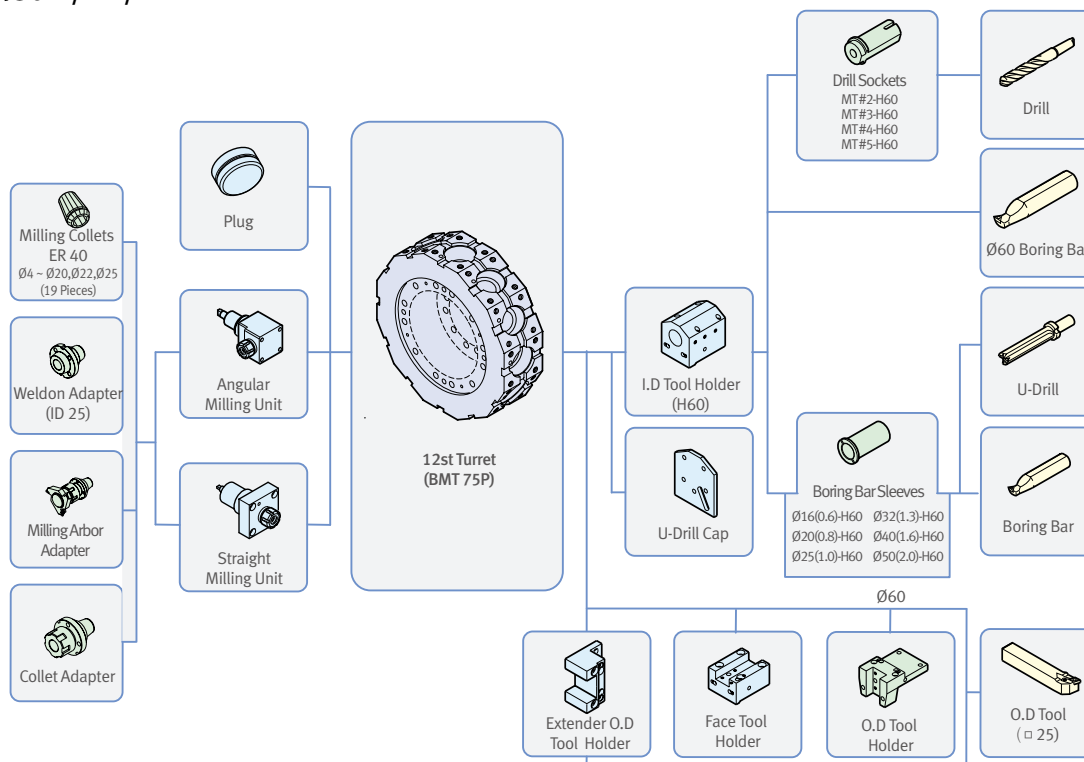
Tooling System

PUMA 480[L/XL], PUMA 480D[LD/XLD]

Unit : mm (inch)



PUMA 480M/LM/XLM



Working Range

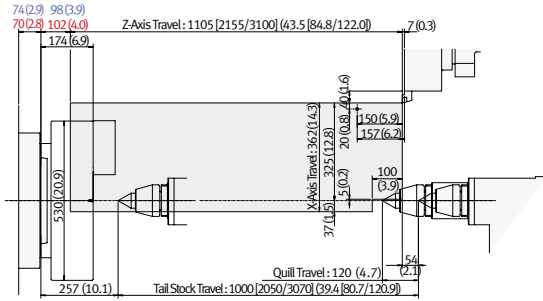
PUMA 480[L/XL], PUMA 480D[LD/XLD]

■ PUMA 480[L/XL]

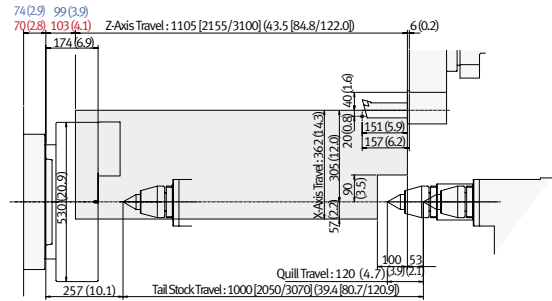
Unit : mm (inch)

■ PUMA 480D[LD/XLD]

OD Tool Holder

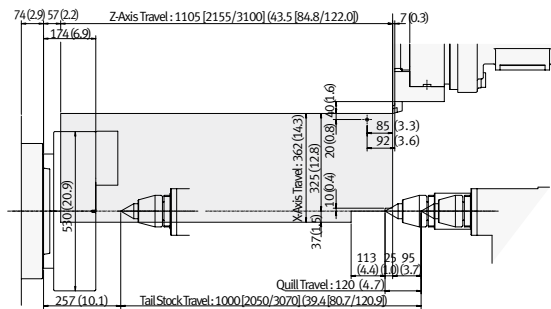


ID Tool holder

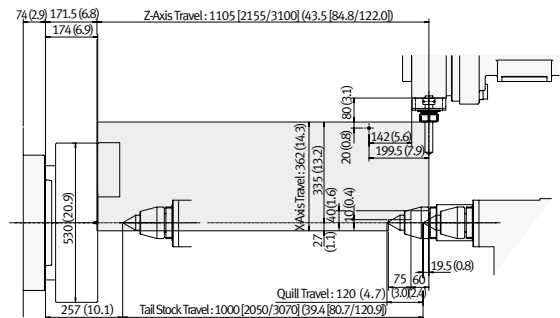


PUMA 480[LM/XLM]

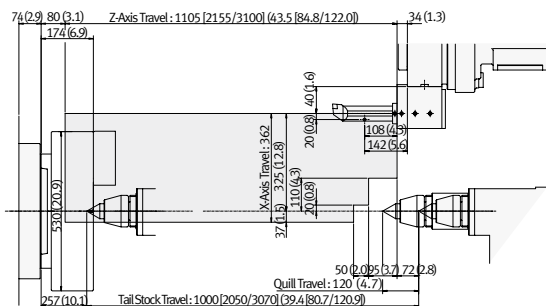
OD Tool Holder



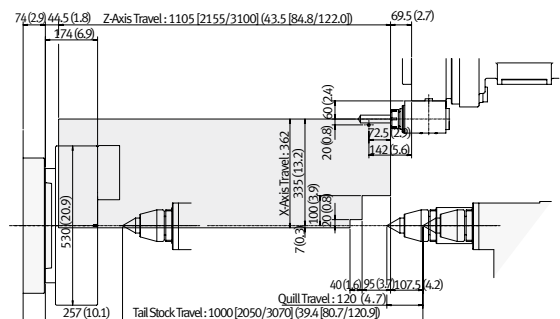
Straight milling unit



ID Tool Holder



Angular milling unit



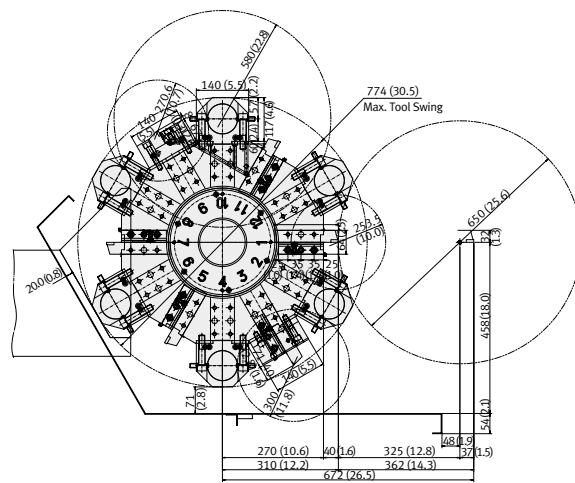
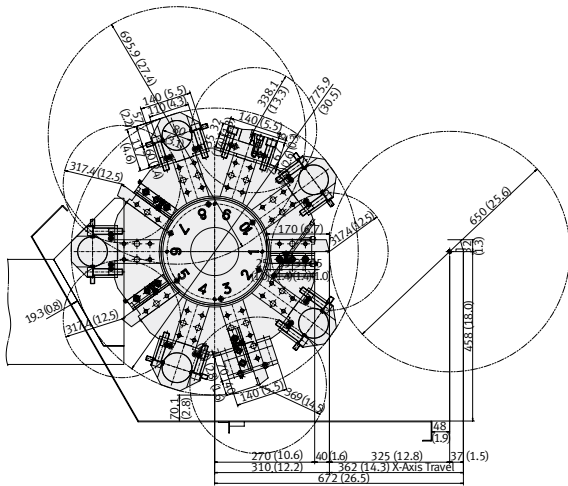
Tool Interference Diagram

PUMA 480[L/XL], PUMA 480D[LD/XLD]

Unit : mm (inch)

10ea **std.**

12ea **opt.**

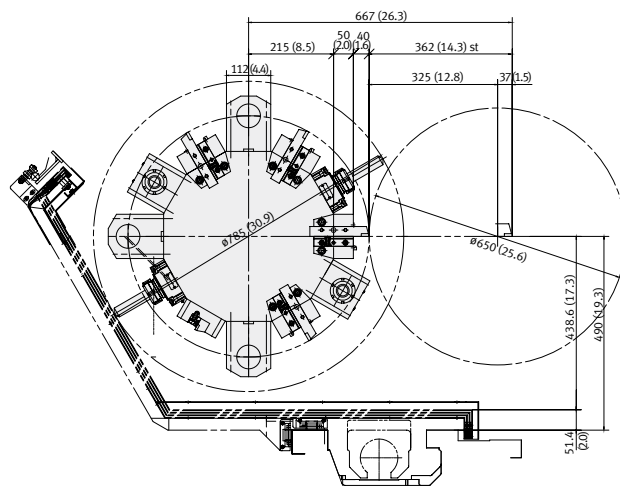
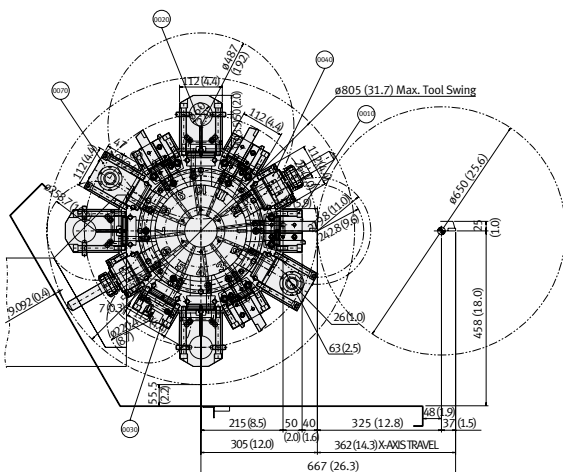


PUMA 480M[LM]

12ea **std.**

PUMA 480XLM

12ea **std.**

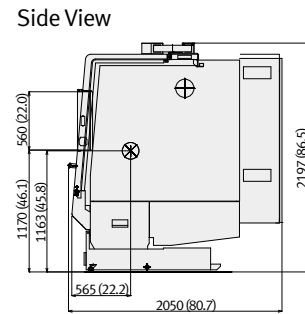
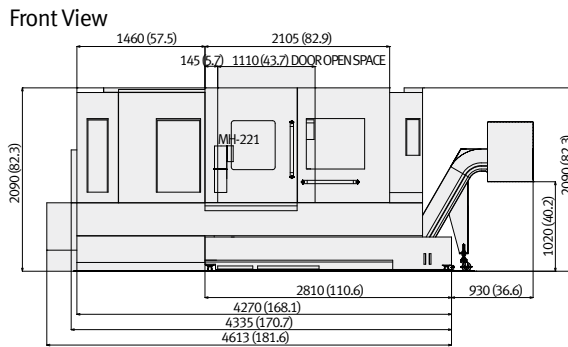
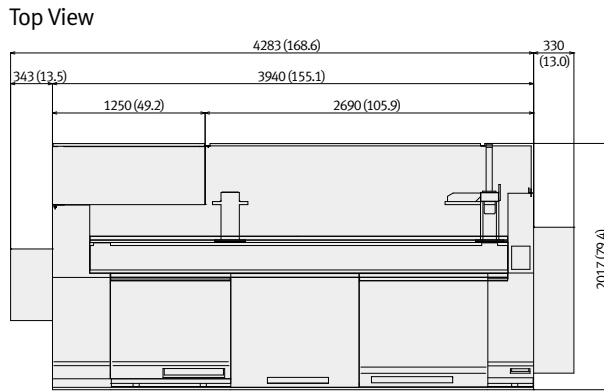


* 2-axes, outer diameter tool enables working up to $\varnothing 485$ mm (19.1 inch) of cross-section.

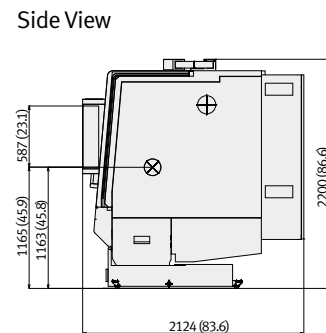
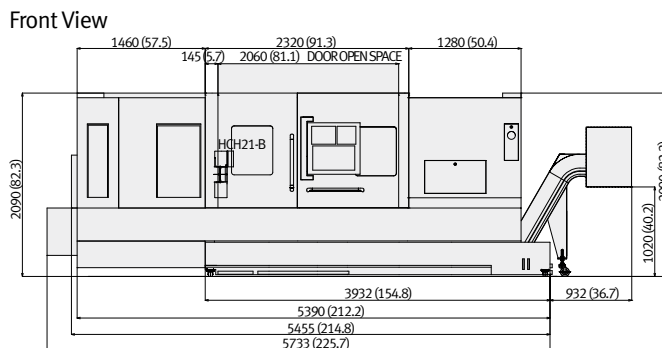
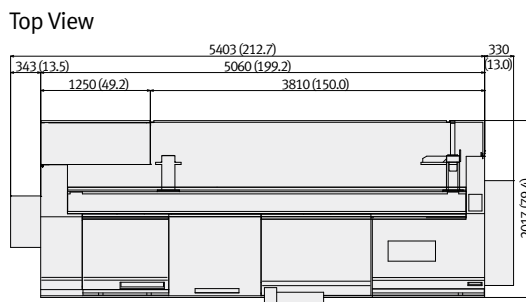
External Dimensions

PUMA 480[DM]

Unit : mm (inch)



PUMA 480[LD/LM]

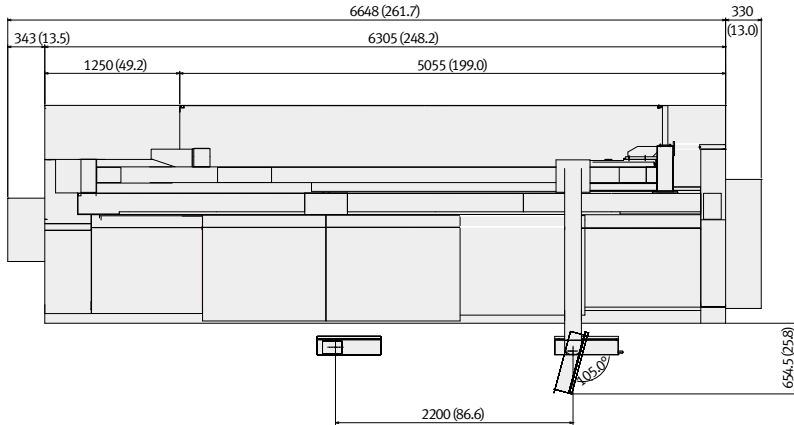


External Dimensions

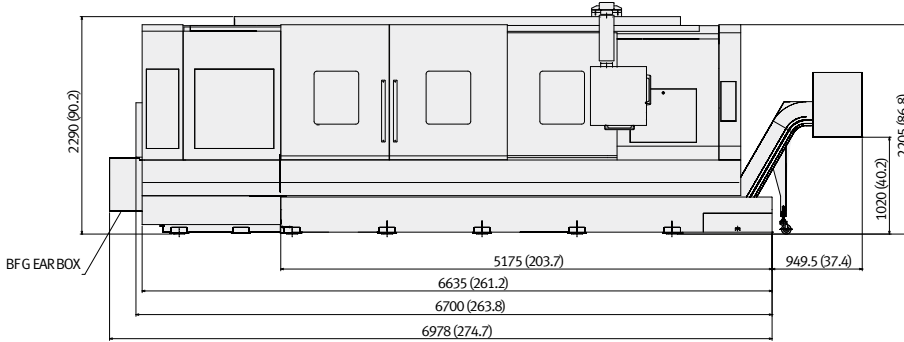
PUMA 480[XLM]

Unit : mm (inch)

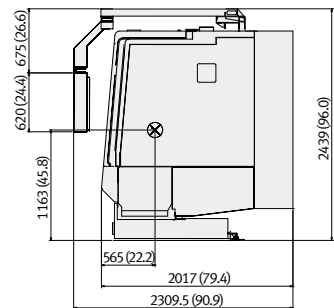
Top View



Front View



Side View



Machine Specifications

Description		Unit	PUMA 480 [L]	PUMA 480M [LM]	PUMA 480XL	PUMA 480XLM	PUMA 480D [LD/XLD]	
Capacity	Swing over bed	mm (inch)	900 (35.4)					
	Swing over saddle	mm (inch)	720 (28.3)					
	Recom. turning diameter	mm (inch)	380 (15.0)					
	Max. turning diameter	mm (inch)	650 (25.6)					
	Max. turning length	mm (inch)	992 [2042] (39.1 [80.4])	951 [2001] (37.4 [78.8])	3065 (120.7)		992 [2042/3065] (39.1 [80.4/120.6])	
	Bar working diameter	mm (inch)	165.5 (6.5)					*
Travels	Travel distance	X-axis	362 (14.3)	362 (14.3)	362 (14.3)	362 (14.3)	362 [57+305] (14.3 [2.2+12.0])	
		Z-axis	1105 [2155] (43.5 [84.8])		3100 (122.0)		1105 [2155/3100] (43.5 [84.8/122.0])	
Feedrates	Rapid Traverse Rate	X-axis	16 (629.9)					
		Z-axis	20 [18] (787.4 [708.7])		10 (393.7)		20 [18/10] (787.4 [708.7/393.7])	
Main spindle	Max. Spindle speed	r/min	1500				1000	
	Spindle nose	-	ASA A1-15				ISO 702-4 NO.20	
	Spindle bearing diameter (Front)	mm (inch)	240 (9.4)				340 (13.4)	
	Spindle through hole	mm (inch)	181 (7.1)				275 (10.8)	
	Min. spindle Indexing angle(C-axis)	deg	-	360 (in 0.001)	-	360 (in 0.001)	-	
Tool Post	No. of tool station	st	10	12	10	12	10	
	OD tool height	mm (inch)	32 x 32 (1.3 x 1.3)	25 x 25 (1.0 x 1.0)	32 x 32 (1.3 x 1.3)	25 x 25 (1.0 x 1.0)	32 x 32 (1.3 x 1.3)	
	Boring bar diameter	mm (inch)	ø 80 (3.1)	ø 60 (2.4)	ø 80 (3.1)	ø 60 (2.4)	ø 80 (3.1)	
	Indexing time (1st swivel)	s	ø 0.25					
	Rotary tool spindle speed	r/min	-	3000	-	3000	-	
Tail Stock	Quill diameter	mm (inch)	120 (4.7)					
	Quill bore taper	MT#	MT#6					
	Quill travel	mm (inch)	120 (4.7)					
Motors	Main spindle motor (30min)	kW (Hp)	45 (60.3)					
	Servo motor	X-axis	4.0 (5.4)					
		Z-axis	6.0 (8.0)					
	Rotary tool spindle motor	kW (Hp)	-	11 (14.8)	-	11 (14.8)	-	
Power source	Electric power supply (rated capacity)	kVA	53.1	58.1	53.1	58.1	53.1	
Machine Dimensions	Height	mm (inch)	2197 [2200] (86.5 [86.6])		2439 (96.0)		2197 [2200/2439] (86.5 [86.6/96.0])	
	Length	mm (inch)	4613 [5733] (181.6 [225.7])		6978 (274.7)		4613 [5733/6978] (181.6 [225.7/274.7])	
	Width	mm (inch)	2050 [2124] (80.7 [83.6])		2310 (90.9)		2050 [2124/2310] (80.7 [83.6/90.9])	
	Weight	kg (lb)	10100 [11550] (22266.4 [25463.0])	10250 [11750] (22597.0 [25903.9])	12050 (26565.3)	12250 (27006.2)	10600 [12050/12550] (23368.7 [26565.3/27667.6])	

* : Max. bar working diameter can be set by the workpiece chucking system used

Standard Feature

- Coolant supply equipment
- Foot switch
- Full enclosure chip and coolant shield
- Hand tool kit, including small hand tool for operations
- Hydraulic chuck & actuating cylinder *
- Hydraulic power unit
- Levelling bolts & plates
- Live center
- Lubrication equipment
- Soft jaws *
- Standard tooling kit (tool holders& boring sleeves)
- Work light

Optional Feature

- Additional tool holders & sleeves
- Air blast for chuck jaw cleaning
- Air gun
- Automatic door with safety device
- Automatic measuring system (in process touch probe)
- Automatic power off
- Bar feeder interface
- Chip bucket
- Chip conveyor
- Controller : Fanuc 31i-A
- Dual chucking pressure
- Hardened & ground jaws
- Hydraulic steady rest
- Manual steady rest
- Oil skimmer
- Pressure switch for chucking pressure check
- Programmable tail stock
- Proximity switches for chuck clamp detection
- Proximity switches for quill position detection
- Signal tower (yellow, red, green)
- Special chucks
- Tailstock quill for dead center (MT #5)
- Tool monitoring system
- Tool pre-setter (hydraulic type)

* : Hyd. Chuck and cylinder, Soft jaws are not standard items of PUMA 480D / LD

- The specifications and information above-mentioned may be changed without prior notice.
- For more details, please contact Doosan

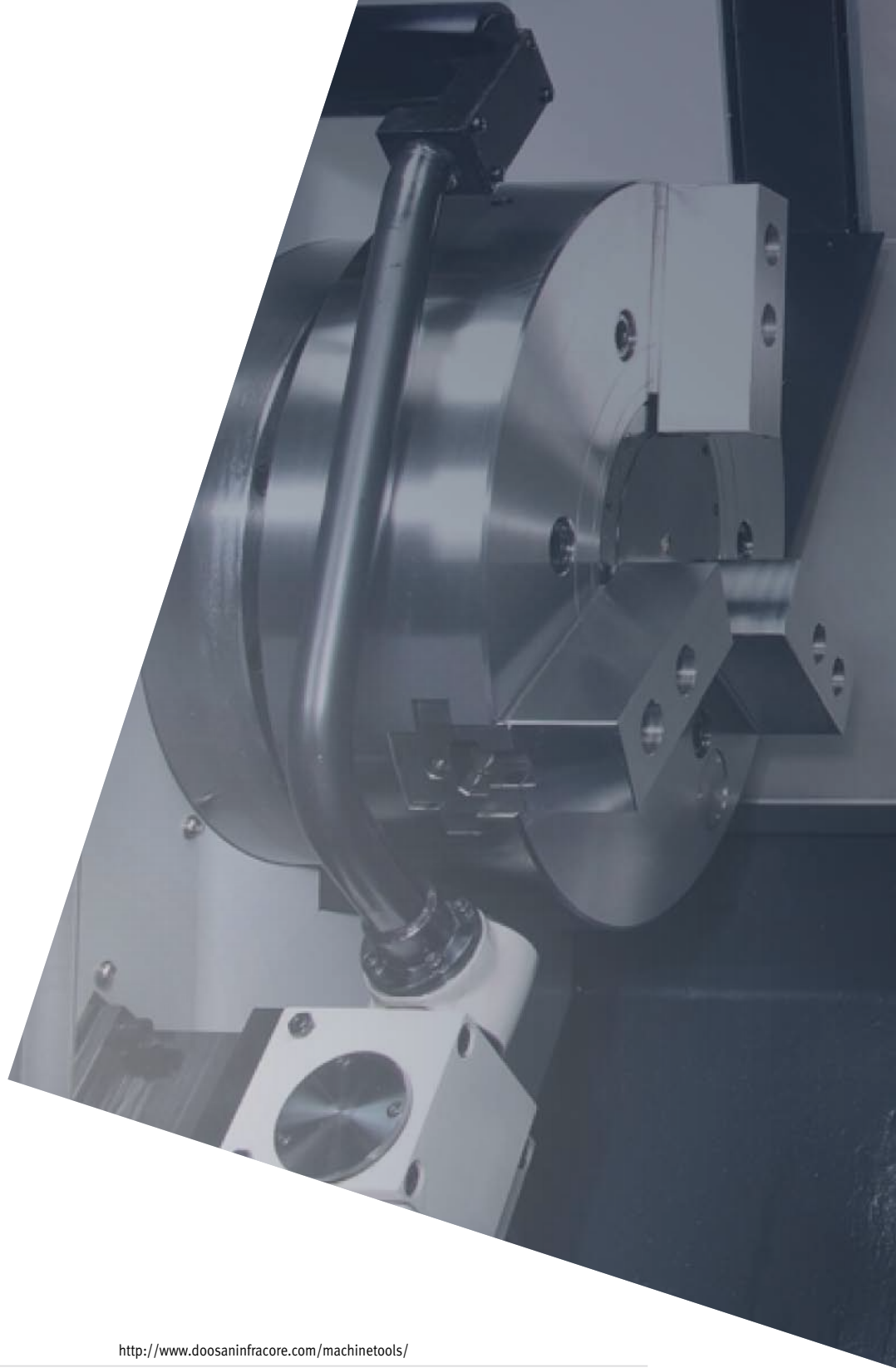
NC Unit Specifications

Fanuc 32i-A

	Item	Specifications	Fanuc 32i-A
Controls	Controlled axes		X, Z, C (!)
	Simultaneously controlled axes	Std. 2 axes	3 axes (!)
Axis Functions	Backlash compensation	0~±9999 pulses	○
	Cs contouring control		○ (!)
	Follow-up / Chamfering on / off		○
	HRV2 control		○
	Least input increment	0.001mm / 0.0001"	○
	Stored stroke check1	Overtravel control	○
Operation	Automatic operation (memory) / Buffer register		○
	Handle incremental feed	X1, X10, X100	○
	Search function	Sequence NO. / Program NO.	○
Interpolation	1st reference position return	Manual, G28	○
	2nd reference position return	G30	○
	Circular interpolation	G27	○
	Continuous thread cutting	G02	○
	Dwell		○
	Linear interpolation	G04	○
	Multiple threading / Thread cutting retract	G01	○
	Polar coordinate interpolation		○
	Reference position return check		○ (!)
	Thread cutting / Synchronous cutting		○
Feed Functions	Feed per minute / Feed per revolution		○
	Feedrate override	0 - 200 % (10% unit)	○
	Jog feed override	0 - 2000 mm/min	○
	Rapid traverse override	F0 / 25 / 100 %	○
Auxiliary & Spindle Functions	Tangential speed constant control		○
	Constant surface speed control		○
	M-function	G96, G97	○
	Multi-spindle control	M3 digits	○
	Rigid tapping		○ (!)
	Spindle orientation		○
Programming Functions	Spindle speed override	0~150%	○
	Absolute / Incremental programming		○
	Canned cycle for drilling / Turning		○
	Custom macro		○
	Decimal point programming/pocket calculator type decimal point programming		○
	Direct drawing dimension programming		○
	eZ Guide i	Conversational programming	○
	Maximum program dimension	±9 digits	○
	Multi repetitive canned cycle	G70~G76	○
	Multi repetitive canned cycle 2		○
	Optional block skip (without hardware)	Total 9 (Only NC function)	○
	Programmable data input	N8 digits	○
	Sequence number	G10	○
	Sub program call	10 folds nested	10
Work coordinate system selection	G52~G59	○	
Tool Functions	Auto tool offset		○
	Direct input of tool offset value measured B		Opt.
	T-code function		○
	Tool geometry / wear compensation	Geometry & wear data	○
	Tool life management		○
	Tool monitoring system		○
	Tool nose radius compensation	T2+2 digits	○
	Tool offset	G43, G44, G49	○
	Tool offset pairs	±6 digits	64
Editing Op. Functions	Tool offset value counter input		○
	Background editing		○
	Expanded part program editing	Copy, Move, Change of NC program	○
	No. of Registered programs		500ea
Setting & Display	Part program editing / Program protect		○
	Part program storage length*1		640m
	Display of spindle speed and T-code at all screen		○
	Help function	Alarm & Operation display	○
	Self diagnostic function		○
	Servo setting screen / Spindle setting screen		○
Data Input & Output	Status display / Lock function		○
	Tool path graphic display		Opt.(!)
	External key input / External data input		○
	External work number search		○
Other Functions	I/O interface	RS-232C	○
	Memory card input and output		○
	Reader puncher control	CH1 interface	○
	Ethernet function	Embedded ethernet function	○
	MDI / DISPLAY unit		10.4" color TFT LCD
	PMC system		○

○ : Standard Opt. : Option (!) : only M type

*1 : Standard Part program length is different on export condition. On the addition of optional functions, its length can be reduced.



<http://www.doosaninfracore.com/machinetools/>

Head Office

Doosan Tower 20th FL., 18-12, Euljiro-6Ga, Jung-Gu, Seoul, Korea 100-730
Tel : ++82-2-3398-8693 / 8671 / 8680 Fax : ++82-2-3398-8699

Doosan Infracore America Corp.

19A Chapin Rd. Pine Brook, NJ 07058, U.S.A.
Tel : ++1-973-618-2500 Fax : ++1-973-618-2501

Doosan Infracore Germany GmbH

Emdener Strasse 24 D-41540 Dormagen Germany
Tel : ++49-2133-5067-100 Fax : ++49-2133-5067-001

Doosan Infracore Yantai Co., LTD

13 Building, 140 Tianlin Road, Xuhui District, Shanghai, China (200233)
Tel : ++86-21-6440-3384 (808, 805) Fax : ++86-21-6440-3389

Doosan Machine Tools
Optimal Solutions for the Future

